

Pole Bolt - Single Phase

SINGLE PHASE POLE BOLTED TRANSFORMERS

Product Data Sheet

Revision: 1

ETEL

ISO 9001 Registered

ETEL brings over 25 years of experience in Distribution Transformers together with state of the art manufacturing techniques to produce high quality, low loss three phase Pole Bolted Transformers.

The Single Phase Pole Bolt Selection includes platform and pole bolted arrangements from 10kVA through to 50kVA (100, 150 also available in rectangular housing) as utilised in New Zealand, Australia and the Pacific Islands.

ETEL offers as standard the best Long-term finish, utilising fully Hot Dipped Galvanised Tanks and Lids. Painted and other solutions are available.



Features

- Integrated pole brackets and spacer bars
- Lid mounted HV bushings
- Long life hot dipped galvanized finish
- 10kVA to 150kVA
- Lifting lugs
- Surge arrester brackets
- Optional fitted HV and LV surge arrestors
- Optional birdcap protection
- Optional pole bolt to crossarm adaptor bracket

Technical Specifications

Core Type	Distributed gap wound core, shell type transformers
Electrical Steel Type	Cold rolled, grain oriented, silicon steel sheets
Tank Sealing	Hermetically sealed
Oil Type	Oil filled to AS1767 and BS148
HV Volts	6600, 11000, 22000, 33000 (others available)
LV Volts	500 - 250V (series – parallel) As standard (others available)
HV Tappings	+5% to -7.5% in 2.5% steps As standard (others available)
Oil / Winding Rises	60 / 65°C As standard (others available)
BIL / Power Frequency Levels	95kVpeak / 28kVrms 150kVpeak / 50kVrms 200kVpeak / 70kVrms
Maximum Operating Pressure	35kPA



Pole Bolt - Single Phase

SINGLE PHASE POLE BOLTED TRANSFORMERS

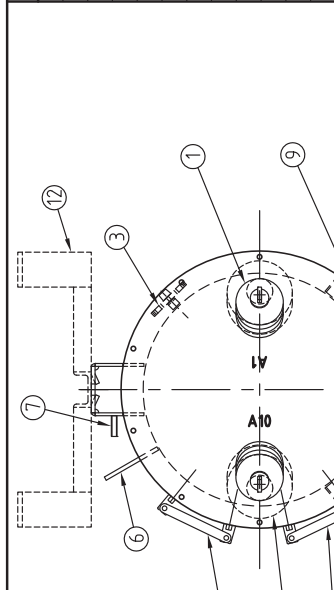
Product Data Sheet

Revision: 1

ETEL

ISO 9001 Registered

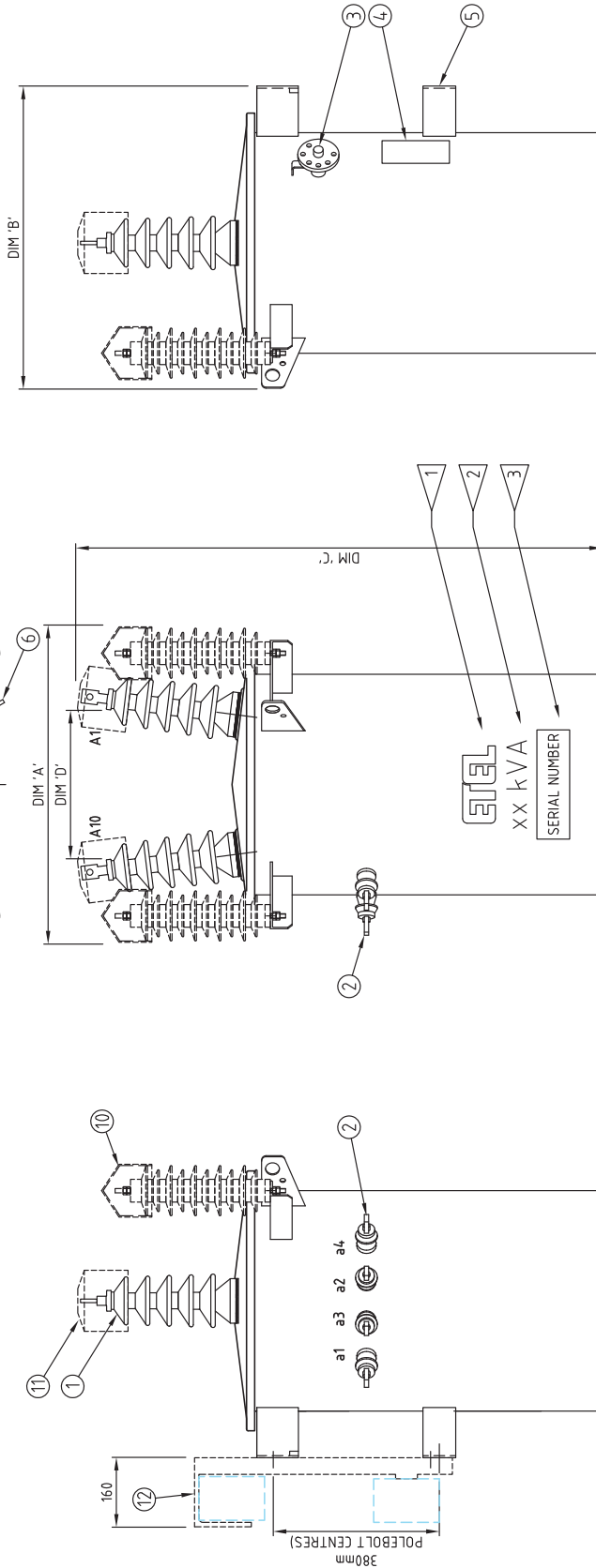
ITEM	DESCRIPTION
1	HV BUSHING 22kV ESAA No77
2	LV BUSHING 0.66kV ESAA No71
3	TAPSWITCH HANDLE & LOCKING BRACKET
4	RATING PLATE
5	POLE MOUNTING BRACKET (25kVA VERSION SHOWN)
6	LIFTING LUG
7	EARTH = M12 STAINLESS STEEL SET SCREW
8	SERIES / PARALLEL LINK
9	SURGE ARRESTER BRACKET
10	SURGE ARRESTER 21kV WITH BIRDCAP - (OPTIONAL)
11	BIRDCAP FOR HV BUSHINGS - (OPTIONAL)
12	BRACKET ADAPTOR POLEBOLT TO CROSSARM - (OPTIONAL)



kVA	OIL Litres	UNTANKING MASS kg	TOTAL kg	WIDTH 'A' mm	DEPTH 'B' mm	HEIGHT 'C' mm	SEPARATION 'D' mm
16	47	120	200	670	560	970	520
25	44	160	240	660	560	1130	520
50	87	235	380	730	700	1205	340

FOR TENDER PURPOSES ONLY
NOT FOR MANUFACTURE

- NOTES:
- ETEL COMPANY LABEL (75mm LETTERING)
 - kVA RATING (50mm LETTERING)
 - ETEL SERIAL NUMBER (50mm LETTERING)
 - LABELS - SELF ADHESIVE, BLACK VINYL, WEATHERPROOF



REV	DESCRIPTION	DRAWN	DATE	APPD.	DATE	DRAWN	DATE
B	16 kVA ADDED	A.R.	5 OCT 10	V.S.	19 AUG 2010	BILL SHERA	19 AUG 2010
C	ITEM 2, 660V vss 115V & 25kVA POLEBOLT BKT SHOWN	M.S.	20 MAR 12	P.L.	CHECKED VIRGILIO		
					DATE 19 AUG 2010		
					SCALE NTS		
					TOLERANCE		

ETEL
Distribution Transformers

DRAWING No. 039.904.0550
REV C

GENERAL ARRANGEMENT
16 kVA, 25 kVA, 50 kVA, 22kV/500-250V
1Ø TRANSFORMER

REV	DESCRIPTION	DRAWN	DATE	APPD.	DATE	DRAWN	DATE
B	16 kVA ADDED	A.R.	5 OCT 10	V.S.	19 AUG 2010	BILL SHERA	19 AUG 2010
C	ITEM 2, 660V vss 115V & 25kVA POLEBOLT BKT SHOWN	M.S.	20 MAR 12	P.L.	CHECKED VIRGILIO		
					DATE 19 AUG 2010		
					SCALE NTS		
					TOLERANCE		