

# Kiosk Substation

SIDE BY SIDE PACKAGED SUBSTATION TRANSFORMERS

Product Data Sheet

Revision: 1

# ETEL

ISO 9001 Registered

The ETEL Kiosk Substation is manufactured to minimise the total cost of ownership for a transformer with protective switchgear.

Housed within an enclosure (bundled optional), the modular approach taken by ETEL enables customers to select the transformer capacity (up to 3.5MVA), the High Voltage Switchgear (Oil filled, SF6 or Air), and the Low Voltage Switchgear to meet their project requirements. All electrical connections within the Kiosks are assembled and tested prior to shipment, requiring only the HV Switchgear and LV Switchboard connections be made on site.

The ETEL Kiosk Substation offers a swift, mobile method of supplying a low cost substation with maximum flexibility and minimum on-going maintenance.

\* Also available in end on end arrangement, see end on end package substation brochure.



## Features

- 50kVA up to 3500kVA available
- Compact designs with the highest quality materials and performance
- Customer specified High Voltage Switch and brand (Oil filled, SF6, Air insulated)
- Customer specified Low Voltage Switchgear (Circuit Breaker, DIN)
- Reduced installation and maintenance costs
- Optional built-in oil containment
- Standard transformer oil or biodegradable fluid options available
- Full automation options available
- Additional transformer and switchgear protection available

## Technical Specifications

<b>Core Type</b>	Distributed gap wound core, shell type transformers
<b>Electrical Steel Type</b>	Cold rolled, grain oriented, silicon steel sheets
<b>Tank Sealing</b>	Hermetically sealed
<b>Oil Type</b>	Oil filled to AS1767 and BS148
<b>kVA sizes available</b>	100kVA up to 3500KVA
<b>HV Volts</b>	6600, 11000, 22000, 33000
<b>LV Volts</b>	433 - 250 As standard (others available)
<b>Connection</b>	Dyn11, YNd11 As standard (others available)
<b>HV Tappings</b>	+5% to -7.5% up to 300kVA +2.5% to -10% 500kVA & above Tapping in steps of 2.5% As standard (others available)
<b>Oil / Winding Rises</b>	60 / 65°C As standard (others available)
<b>BIL / Power Frequency Levels</b>	95kVpeak / 28kVrms 150kVpeak / 50kVrms 200kVpeak / 70kVrms
<b>Maximum Operating Pressure</b>	35kPA

# Kiosk Substation

SIDE BY SIDE PACKAGED SUBSTATION TRANSFORMERS

Product Data Sheet

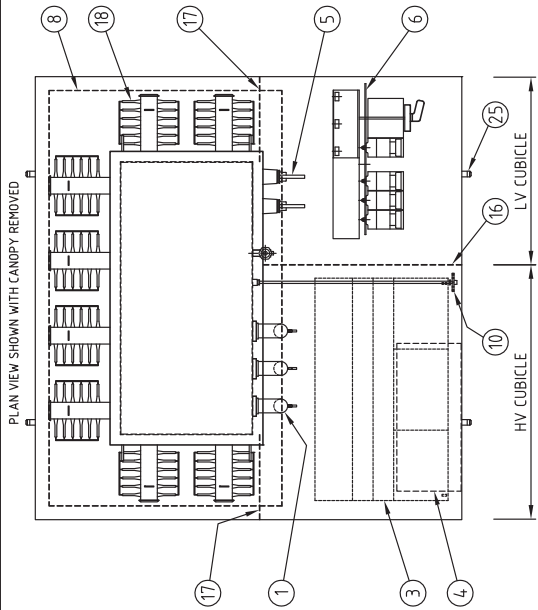
Revision: 1



ISO 9001 Registered

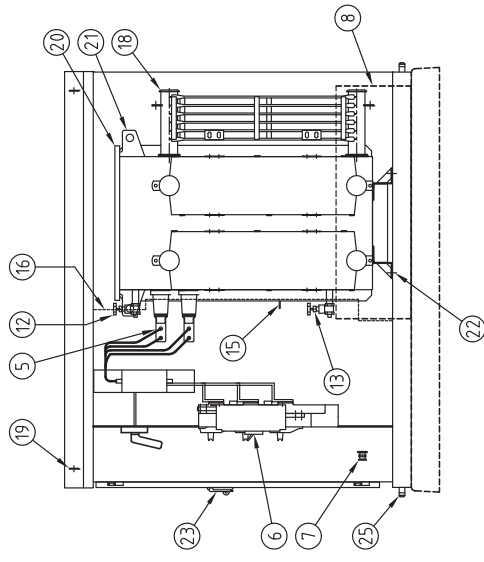
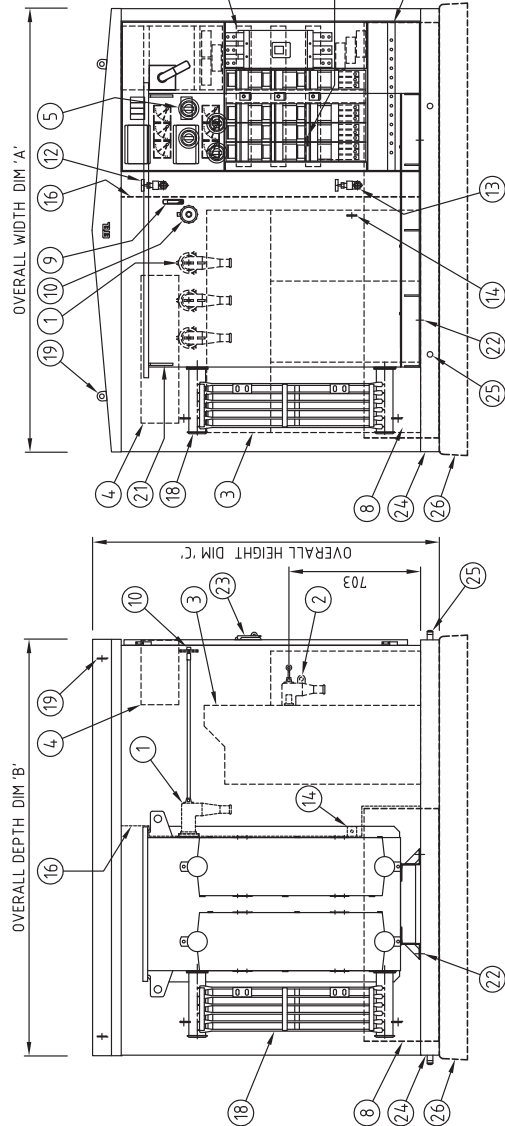


ITEM	DESCRIPTION
1	TRANSFORMER - HV 22kV BUSHING 200 SERIES (DIN, PIN TYPE 200A)
2	RINGMAIN - HV 22kV BUSHING 200 SERIES (DIN, PIN TYPE 200A)
3	RING MAIN UNIT ( 3 FUNCTION, NON EXTENSIBLE SHOWN )
4	HV REMOTE CONTROL UNIT - MOUNTED INSIDE HV CUBICLE DOOR ( OPTIONAL )
5	LV BUSHINGS - 315, 500, 750 & 1000kVA's = GB2 1400A 1500 & 2000kVA's = No.74, 3150A
6	LV SWITCH GEAR FRAME ( VARIES TO SUIT CUSTOMER SPECIFICATIONS )
7	LV CUBICLE & SWITCH GEAR NEUTRAL BAR 50 x 6mm TINNED COPPER
8	OIL CONTAINMENT BUNDING - 10%
9	OIL LEVEL GAUGE
10	TAPSWITCH HANDLE & LOCKING BRACKET
11	RATING PLATE - MOUNTED INSIDE LV CUBICLE DOOR
12	25NB FILLER SOCKET + PLUG
13	25NB DRAIN VALVE + PLUG
14	HV CUBICLE EARTH TERMINAL 50 x 50 x 5mm S/STEEL
15	LV CUBICLE EARTH TERMINAL 50 x 50 x 5mm S/STEEL
16	HV/LV CUBICLES' SEGREGATION PANEL
17	HV/LV CUBICLES' TO TRANSFORMER SEGREGATION PANELS
18	TRANSFORMER COOLING RADATORS ( QTY TO SUIT TRANSFORMER )
19	KIOSK CANOPY ( 4 x LIFTING LUGS WITH Ø25mm HOLE )
20	TRANSFORMER INTERNAL COVER
21	TRANSFORMER LIFTING LUGS ( Ø4.0mm HOLE )
22	TRANSFORMER HOLD DOWN
23	DOOR HANDLE - SWING PAD LOCKABLE, 3 POINT LOCKING
24	KIOSK CHANNEL BASE - GALVANISED STEEL ( UNPAINTED )
25	LIFTING PIN FOR USE WITH LIFTING SPREADER DEVICE
26	BASE PLINTH - CONCRETE ( OPTIONAL )



kVA	DIM 'A' (mm)	DIM 'B' (mm)	DIM 'C' (mm)	OIL (Litre)	UNTANKING MASS (kg)	TOTAL MASS (kg)
315	2300	2010	1850	605	930	2850
500	2300	2010	1850	525	1320	3170
750	2370	2225	1850	835	1635	4275
1000	2370	2225	1850	785	1950	4545
1500	2665	2350	2200	1150	2805	6260
2000	2600	2350	2460	1505	3160	7200

ALL WEIGHTS AND DIMENSIONS ARE APPROXIMATE AND FOR TENDER PURPOSES ONLY



REV	DESCRIPTION	DRAWN	DATE	APPD.	DRAWN	DATE	APPD.

Distribution Transformers	
PROPOSED GENERAL ARRANGEMENTS KIOSK TRANSFORMERS 22000 / 433 - 250V WITH RING MAIN UNIT	DRAWING NO. 039.904.0717
M. STOREY 29 MAR 2012 P. LEECE 29 MAR 2012 NTS	REV A